



Test Drive®

WORLD OF  
DESTRUCTION



ATARI

**WARNING: READ BEFORE USING YOUR PLAYSTATION®2 COMPUTER ENTERTAINMENT SYSTEM.**

A very small percentage of individuals may experience epileptic seizures when exposed to certain light patterns or flashing lights. Exposure to certain patterns or backgrounds on a television screen or while playing video games, including games played on the PlayStation 2 console, may induce an epileptic seizure in these individuals. Certain conditions may induce previously undetected epileptic symptoms even in persons who have no history of prior seizures or epilepsy. If you, or anyone in your family, has an epileptic condition, consult your physician prior to playing. If you experience any of the following symptoms while playing a video game — dizziness, altered vision, eye or muscle twitches, loss of awareness, disorientation, any involuntary movement, or convulsions — IMMEDIATELY discontinue use and consult your physician before resuming play.

**WARNING TO OWNERS OF PROJECTION TELEVISIONS:**

Do not connect your PlayStation 2 console to a projection TV without first consulting the user manual for your projection TV, unless it is of the LCD type. Otherwise, it may permanently damage your TV screen.

**USE OF UNAUTHORIZED PRODUCT:**

The use of software or peripherals not authorized by Sony Computer Entertainment America may damage your console and/or invalidate your warranty. Only official or licensed peripherals should be used in the controller ports or memory card slots.

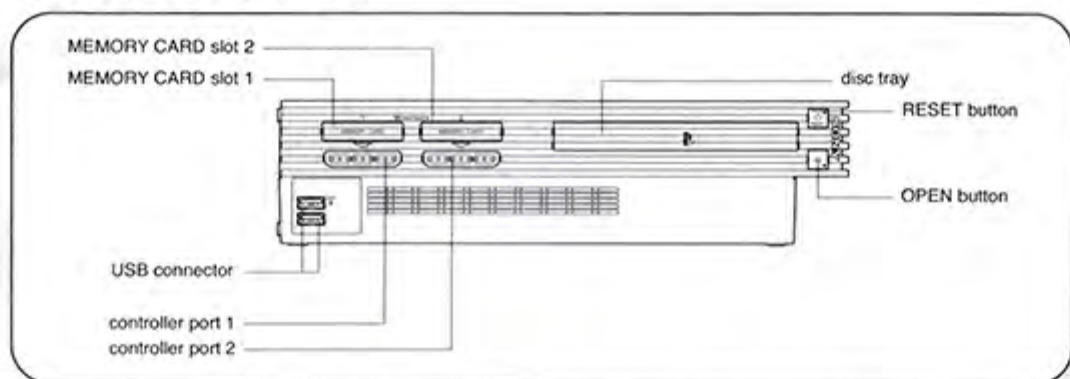
**HANDLING YOUR PLAYSTATION 2 FORMAT DISC:**

- This disc is intended for use only with PlayStation 2 consoles with the NTSC U/C designation.
- Do not bend it, crush it or submerge it in liquids.
- Do not leave it in direct sunlight or near a radiator or other source of heat.
- Be sure to take an occasional rest break during extended play.
- Keep this compact disc clean. Always hold the disc by the edges and keep it in its protective case when not in use. Clean the disc with a lint-free, soft, dry cloth, wiping in straight lines from center to outer edge. Never use solvents or abrasive cleaners.

# TABLE OF CONTENTS

Getting Started .....	2
Controls .....	3
Saving and Loading .....	4
Welcome to <i>Test Drive®: Eve of Destruction</i> .....	4
Main Menu .....	4
Options .....	5
Game Screen .....	5
Driving Screen .....	6
Career .....	7
Eve of Destruction .....	10
Single Action .....	12
Multi Action .....	13
Dare .....	14
Race Types .....	14
Replays .....	18
Credits .....	20
Atari Web Sites .....	22
Technical Support .....	22
End-User License Agreement .....	24

# GETTING STARTED

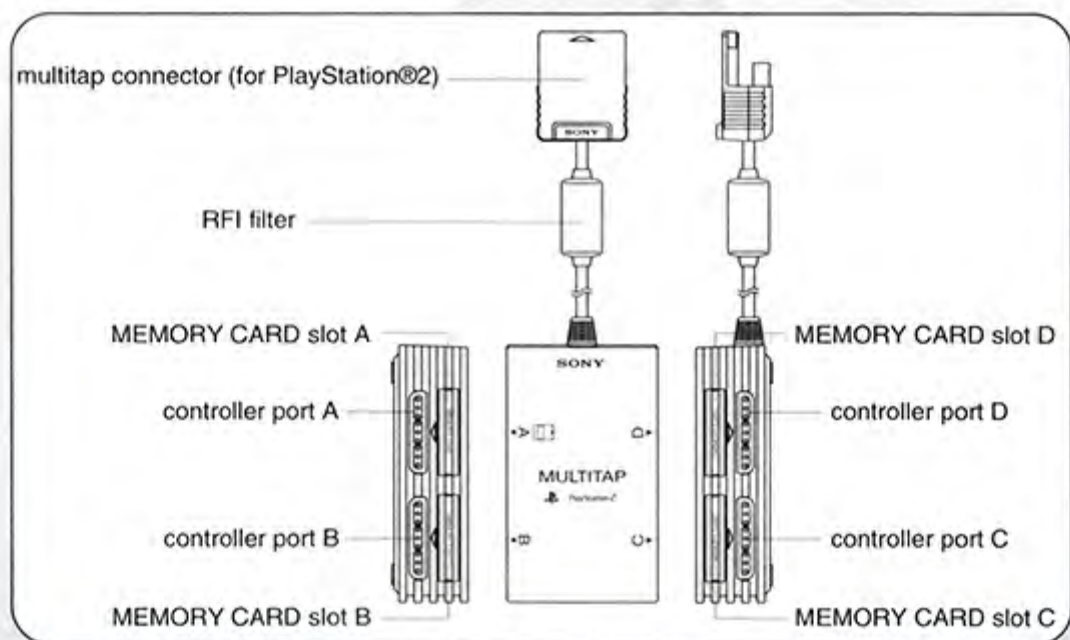


Set up your PlayStation<sup>®</sup>2 computer entertainment system according to the instructions in its Instruction Manual. Make sure the MAIN POWER switch (located on the back of the console) is turned ON. Press the RESET button. When the power indicator lights up, press the OPEN button and the disc tray will open. Place the *Test Drive<sup>®</sup>: Eve of Destruction* disc on the disc tray with the label side facing up. Press the OPEN button again and the disc tray will close. Attach game controllers and other peripherals, as appropriate. Follow on-screen instructions and refer to this manual for information on using the software.

## Memory Card (8MB) (for PlayStation<sup>®</sup>2)

To save game settings and progress, insert a memory card (8MB) (for PlayStation<sup>®</sup>2) into MEMORY CARD slot 1 of your PlayStation<sup>®</sup>2 system. You can load saved game data from the same memory card or any memory card (8MB) (for PlayStation<sup>®</sup>2) containing previously saved games.

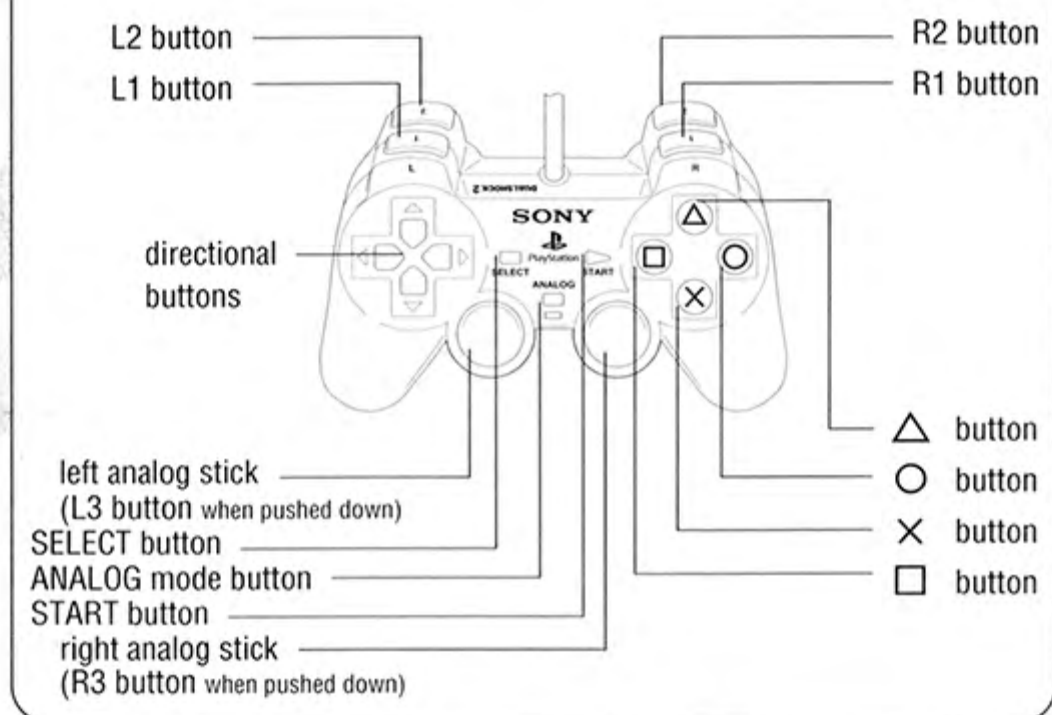
## Multitap



If three or more people are competing in *Test Drive<sup>®</sup>: Eve of Destruction*, you must have a multitap (for PlayStation<sup>®</sup>2) connected to the PlayStation<sup>®</sup>2 game console. Refer to the instructions that came with your multitap for information on how to connect it to the PlayStation<sup>®</sup>2 game console.

# CONTROLS

## DUALSHOCK®2 ANALOG CONTROLLER CONFIGURATIONS



### Menu Controls

directional buttons	Move highlight
X button	Accept
△ button	Back

### Driving Controls

left / right directional buttons	Steering
left analog stick (left/right)	Steering
right analog stick (up)	Accelerate
X button	Accelerate
right analog stick (down)	Brake
□ button	Brake
△ button	Change camera
O button	Reverse
L1 button	Rearview camera
R1 button	Reverse
L2 button	Feat Special (fire weapon/turbo)
R2 button	Emergency brake
SELECT button	Reset car on track (when prompted)
START button	Pause Menu

**Note:** You can select alternate control configurations at the Options Menu (see page 5).

## SAVING AND LOADING

In Career mode, you are prompted to save your game progress following the completion of an event. You can also save your progress at any time from your home. Select the Main Menu tab using the **left / right directional buttons**, select Save using the **up / down directional buttons**, and press the **X button**.

You can also save your progress by choosing Action from the Main Menu, then Save.

The game automatically loads saved data from a memory card in MEMORY CARD slot 1 when the game starts. To load a different saved game, insert a memory card with a saved game on it in MEMORY CARD slot 1, and select "Load" from the Main Menu.

## WELCOME TO *TEST DRIVE*<sup>®</sup>: *EVE OF DESTRUCTION*

Do you want to experience all of the thrills, laughs and wild nights of competing in some of the most outrageous racing events ever seen in North America? Well you've come to the right place! From figure-8 tracks to trailer races, destruction derbies to gauntlet races, *Test Drive: Eve of Destruction* has it all!

## MAIN MENU

### Action

Pick a car and a venue, jump behind the wheel and hit the gas! Action mode lets you instantly jump into a quick, fun series of single-player or multiplayer races, test out cars, and practice on a variety of tracks. The following event types are available under the Action Menu:

**Single:** Single-player competition with your choice of cars, tracks and races (see "Single Action" on page 12).

**Multi:** Multiplayer mayhem with up to four players in split-screen mode (see "Multi Action" on page 13).

**Dare:** Take this series of challenges to learn the ropes and prove your mettle (see "Dare" on page 14).

### Career

Start out in Middle America and travel to a variety of tracks hosting a wide range of extreme racing events (see "Career" on page 7).

### Load

Load a previously saved game from a memory card in MEMORY CARD slot 1.

### Options

Adjust game settings (see next page).

## OPTIONS

Select Options from the Main Menu to adjust the following settings:

**Volume:** Use the **left / right directional buttons** to adjust the volume of music, sound effects and the race announcer.

**Audio/Video:** Use the **left / right directional buttons** to select a video mode (standard or widescreen), and adjust the screen positioning. You can also choose from Mono, Stereo and Dolby Pro Logic II sound output.

**Setup:** Choose from three control configurations — the controller you use to enter the menu is the controller you configure. You can also turn vibration ON / OFF, and toggle speed display between MPH and KPH.

### Extras

The Extras Menu contains the following options:

**Unlockables:** View a list of the special cars and tracks that you can unlock, as well as the reputation rating required to unlock them.

**Feats:** These are special power-ups that you can unlock by performing outrageous stunts. Select a Feat to see the requirements for unlocking it. Once you've unlocked a Feat, select it in this menu and press the **X button** to toggle it ON / OFF.

**Videos:** View unlocked videos of real-life Eve of Destruction races.

**Credits:** See the list of people who helped make this game.

## GAME SCREEN



*Test Drive: Eve of Destruction* uses a tab-based navigation system for Career and Action events. Use the **left / right directional buttons** to switch between tabs, and then press the **up / down directional buttons** to highlight an option. Press the **X button** to select that option.

# DRIVING SCREEN



**Position:** Your position in the current race.

**Lap:** Current lap / total laps.

**Damage:** The amount of damage your car has received. When the Damage gauge turns red, it means your car is hurting. When it starts to blink, your car can only take one or two more hits. When the Damage gauge is empty, your car becomes impaired and you're out of the race. You can repair your car between races or at your home in Career mode (see "Repairs" on page 11). In Action mode, cars are repaired automatically between events.

**Opponent Damage:** When you collide with another car, that car's current Damage gauge is shown below yours. If you land a killing hit, the word "KILLED" will flash.

**Speed:** This is your current velocity.

**Gear:** This is the current gear your car is in.

**Hits:** The Hits meter shows how many times you've slammed into other cars during the course of the current eve. The more you crash, the more you stoke the crowd. After a career eve, you win bonus prize money based on the number of times you fill the Hits meter.

**Kills:** This shows your current kill count. You must be the one to land the final disabling blow on a car in order to score a kill. Kills count toward your overall reputation points.



**Directional Indicator:** Depending on the race, the screen might contain other elements, such as an arrow showing you which direction to drive (Point-to-Point, Wrangling) or a stoplight (Stop and Go Race).



**Radar:** During some races, including Demolition Derby, Push-Off and Battle, a radar window appears in the upper-right corner. Your car's position is always at the center, and the front of your car is always pointing upward. Other cars appear as white dots.

**Laps Indicator:** When you drive over the start / finish line, this box will appear briefly to show your stats for the previous lap, including Laps to Go, Last Lap time and Best Lap time.



# CAREER

In Career mode, you must place well enough to win cash prizes so you can buy new — well maybe not *new* — cars that have more power, better handling, thicker chassis and fewer dents. Success in Career mode also raises your overall reputation rating, which unlocks tracks, cars and events that you can use in Action mode. As you progress, you can also unlock exclusive videos, which prove that, as crazy as they seem, the majority of these types of events actually take place in the real world.

When you start a new career, you must first choose a nickname. Your nickname is how the track announcer will refer to you during driving events. Use the **left / right directional buttons** to select a name and press the **X button** to continue.

## Home Sweet Home



Career mode starts at the dirt driveway in front of your humble singlewide. Across the driveway is the late-model Top you recently inherited from grandma. It may not look like much, but it runs.

And that's what matters, because today you've decided to enter the local Eve of Destruction down Route 17 in Ashland. You've dreamt about being a race driver and this is your chance.

Survive enough races to earn cash for repairs and upgrades, and you're on your way to fame and glory. But before that happens, you have some errands to run. Good luck, and don't forget to buckle up!

## Career Main Menu



In your driveway, you can use the menu window to do the following:

**Drive Around:** Head into a great big world of driving destruction.

**Save:** Save your progress.

**Start a New Career:** End your current career and begin a new one.

**Exit Career Mode:** Exit to the Main Menu (see page 4).

## Cars

**Switch Cars:** Press the **X button** and then use the **up / down directional buttons** to highlight a car that you want to drive. Press the **X button** to select.

**Repairs:** Repair any car in your current fleet (see "Repairs" on page 11).

## Stats

**Current Goal:** Shows your current Career goal and your progress toward completing it.

**Current Rankings:** Lists the top 100 Eve of Destruction drivers. Press the **directional buttons** to scroll through the list. Press the **X button** or the **Δ button** to return to the Stats Menu.

**Last Event's Results:** Lists the standings for the last event you completed.

## The Neighborhood



Select Drive Around from the Career Main Menu to hit the open country road. Your first stop in a new career should be to trade-up for a slightly less gutless car. Take a right out of your driveway and head toward Sweeny's Salvage Yard. In addition to Sweeny's, there are several other stops of interest.

**Note:** You can press the **START button** and select "Jump To" to go directly to any neighborhood location.

## Auto Shop



If you make a right turn out of your driveway and travel toward the wrench icon on your map, you'll see the Auto Shop. Once you achieve a ranking of 80 or better, you can visit the Auto Shop to buy upgrades, including better suspension, turbo, and chassis reinforcement. Use the **up / down directional buttons** to select an upgrade. Its effect is shown at the bottom of the window and its price is shown at the right. Press

the **X button** to purchase the selected upgrade.

Choose the Painting tab to select the Paint Shop, where you can personalize any of your cars for free (see "Painting" on page 10).

Choose the Drive tab and select Drive Around to leave the Auto Shop.

## Sweeny's Salvage Yard



The salvage yard is on the left just past the Auto Shop. When you pull into Sweeny's, you'll find a selection of cars that changes depending on your Career ranking.

The Buy tab lists the available cars. Use the **up / down directional buttons** to select a car and see its Speed, Handling and Durability stats.

Your available cash and the cost of the currently selected car are listed at the bottom of the window. The stats of the car you're currently driving are displayed in a window to the right. Press the **X button** to purchase the selected car.

Before you make the purchase, you're given the option to trade-in your old car or pay cash. Select Pay Cash or Trade-In Old Car and press the **X button** to make the deal. The trade-in and purchase prices are shown at the bottom of the window.

To sell your current car, press the **left / right directional buttons** to open the Sell tab. The price that Sweeny is willing to pay for its battered remains is shown at the bottom of the window. **Note:** You cannot sell your only car. If you want to get rid of it, trade it in for a new one.

To leave Sweeny's, press the **left / right directional buttons** to open the Drive tab and select Drive Around.

**Note:** You have room to park four vehicles in your driveway at home.

## TJ's Diner



Placing well in the track events is not the only way to earn some dough. TJ's Diner is a hotbed for unsanctioned races. Turn left out of your driveway, and then right at the next intersection. Follow that road straight until you see a sign for TJ's Diner. Make a left to enter the diner parking lot.

At the diner, you will encounter up to five other extreme drivers who you can challenge to a race

for cash. When you pull into the parking lot, a menu will appear asking you to choose a challenger. Highlight a challenger using the **up / down directional buttons** to display his name, the amount of the bet, and other information about the race. As you advance in your career, more diner drivers will become available.

Press the **X button** to advance to the confirmation screen. If you want to continue to the race, select Race and press the **X button**. You will face off against the driver and his friends on the dirt track behind the diner. To return to the previous screen, select Back and press the **X button**.

## Troy's Place

Once you've gained a bit of a racing reputation, head over to Troy's for an even more brutal brand of unsanctioned racing. You'll recognize it from the pirate flag waving outside. Troy's is like TJ's, but the course and competitors are a lot tougher. The wagers are higher as well.

## The Infield



Take a right out of your house and take the first left. Or, drive to the other entrance near the freeway (left from your house, hard right). Once you achieve a rank of 80 or better, the gates to both infield entrances will be open. Enter here and bet on whether you think you can beat the quickest time through a rough-and-tumble auto obstacle course. Each entrance features a different course.

## Out of Town

When you start your career, the first three eves are down the road from Sweeny's. The next series is out past TJ's. Once you've proven yourself, you've got to hit the highway to get to your next events. Keep an eye open for on-screen indicators that tell you where to go for your next series of events.

# EVE OF DESTRUCTION

After a short trip, you arrive outside your next event. On the road in front of you is your first challenge. A local driver dares you to race on the way to the event. Press the **X button** to accept the challenge, press the **O button** to decline. If you beat him, you can earn some reputation and drive up to the event just in time to take your place behind the pack for the first race. If you decline, you jump straight to the first race of the eve.



After each race, your reputation points are tallied based on the number of hits and kills you made during the race. Select Continue to go to the Eve Menu. Select Replay to watch a replay of your last race (see "Replays" on page 18). **Note:** Replays of the first race of an eve are not available.

At the Eve Menu, use the **directional buttons** to move between menu tabs and choose an option.

**Race:** The time and type of the next race is displayed in the Event tab. Select Race to go to the Choose Car Menu.

**Skip this event:** Select this option to bow out of the next event.

**Standings:** Select the Standings tab to see the current event standings. Your name will be highlighted in yellow.

**Restart Eve:** Choose the Exit tab and then select this option to restart the eve. Placings, hits meter and damage will be reset.

**Exit:** Choose the Exit tab and select Exit to quit the current eve and head back home.

**Replay:** Select this option to view a replay of the last event (see "Replay" on page 18).

When you choose the Race option, the Choose Car Menu is displayed. If the car you want to drive needs some TLC, press the **right directional button** and go to the Repair Car tab before you start the race. Use the **up / down directional buttons** to highlight a car from among your battered fleet and press the **X button** to repair that car. On the Repair window, press the **right directional button** to repair your car by five-percent increments. The cost of the repairs is displayed in the window. Press the **X button** to make the fixes and incur the costs. (For more information on repairs, see "Repairs" on page 11.)

After repairs, press the **left directional button** to return to the Choose Car Menu. Select a car and press the **X button** to start the next race. Select Back to return to the Eve Menu.

## Painting

At the Auto Shop, you can enter the Paint Shop and paint your ride for free. Select the Painting tab and then select Paint Shop to paint the car you're currently driving.

First, use the **directional buttons** to choose a color. Press the **X button** to continue or press the **Δ button** to exit the Paint Shop. Next, press the **left / right directional buttons** to choose a nozzle size. Press the **X button** to continue or press the

**△ button** to return to the Choose Color Menu. Lastly, press the **directional buttons** to choose an area of the car to paint. Use the **left analog stick** to move the painting cursor. Press the **X button** to paint.

If you want to choose a new nozzle size or a new color, press the **△ button** to return to the previous menu.

To exit, press the **△ button** until you get the confirmation box asking you if you'd like to save your changes. Press the **X button** to save your changes and exit the Paint Shop. Press the **△ button** to exit the Paint Shop without saving changes.

## Damage and Hits



Simply driving fast is not a certain path to victory in *Test Drive: Eve of Destruction*. Who you hit, when you hit them, and how hard is often as important as how cleanly you cut a corner. Putting a damaged car out of commission eliminates a competitor. Slamming another racer into a guardrail not only slows him down but is a great way to correct an oversteer. But most of all, crowds love it!

The more hits you land in eve events, the more your reputation grows (for unlockables) and the bigger your prize. The Hits meter in the lower-right corner of the screen keeps track of how you're doing in this department. The harder you hit another racer, the more your Hits meter increases.

Each time you fill up the Hits meter, it resets and marks a multiplier. For example, fill it up two times and the meter will display "Hits x2." After the eve, you're awarded extra prize money based on this multiplier. The more prestigious the eve, the more money you get.

## Repairs



As you compete, you'll inevitably damage your car. Luckily, there's no shortage of body filler, duct tape and sledgehammers, so you can always revitalize your ride between races.

Repair costs are related to the value of the car. In other words, your high-priced Rocket is going to cost far more to fix than your beat little Moth.

Some damage is irreparable. Once a car is damaged badly enough, a white bar at the right of the Damage gauge shows the point beyond which you can't repair this car.

**Note:** It's cheaper to repair at home than at an eve.

## SINGLE ACTION

From the Main Menu, select Action, Race, and then Single to design and drive in your own self-styled eves with your choice of cars and tracks.

### Choose a Car

Use the **left / right directional buttons** to choose a car type (Compact, Midsize, Muscle or Special).

Press the **down directional button** and use the **left / right directional buttons** to choose a car. An image of the car as well as stats for Speed, Handling and Durability are displayed at the top of the screen.

Press the **down directional button** and use the **left / right directional buttons** to choose a paint scheme.

Press the **down directional button** and use the **left / right directional buttons** to choose a nickname. The announcer will refer to you by this name until you choose a new one.

Press the **X button** to continue. Press the **Δ button** to return to the previous menu.

**Note:** You can unlock additional cars by increasing your reputation points (see "Options" on page 5).

### Choose a Track

Use the **left / right directional buttons** to choose the track where your eve will take place.

Press the **down directional button** and use the **left / right directional buttons** to select the number of events (1, 3, 5 or 7) that will make up your eve.

Press the **down directional button** and use the **left / right directional buttons** to select your opponents' skill level (Rookie, Pro, Veteran, Champ, Legend).

Press the **X button** to start the series. Press the **Δ button** to return to the previous menu.

**Note:** You can unlock additional tracks by increasing your reputation points.

### Choose an Event

Once the track loads, you will be presented with a list of events. Use the **up / down directional buttons** to choose an event and press the **X button** to start. Once the event is over, press the **left directional button** to display the Standings tab, where you can view the current standings for the eve. Press the **right directional button** to display the Exit tab. Here you can restart the eve, exit to the Main Menu, or see a replay of your last event (see "Replays" on page 18).

**Note:** You also have the option of watching a replay immediately following an event. After the event ends, select "Replay" and press the **X button** to watch. Select "Continue" and press the **X button** to return to the Eve screen, where you can choose your next event.

## MULTI ACTION



From the Main Menu, select Action, Race, and then Multi to create a multiplayer eve for up to four players. Each player must use a separate DUALSHOCK®2 analog controller. If more than two players want to join, you must have a multitap (for PlayStation®2) connected to your PlayStation®2.

### Choose a Car

First, each player must press the **X button** to join the eve. Then, each player chooses a car type

(Compact, Midsize, Muscle or Special) using the **left / right directional buttons**.

Next, each player chooses a car by pressing the **down directional button** and then the **left / right directional buttons**.

Finally, each player can select a nickname. Use the **left / right directional buttons** to select a name.

Each player then presses the **X button** to indicate that he or she is ready to race. You can press the **Δ button** to return to choosing a car. After all players have indicated that they are good to go, any player can press the **X button** to continue to the next screen.

### Choose a Track

Any player can choose a track, the number of events and opponent AI.

Use the **left / right directional buttons** to choose the track. Next, press the **down directional button** and use the **left / right directional buttons** to select the number of races (1, 3, 5 or 7) that will make up the eve. Press the **down directional button** and use the **left / right directional buttons** to select your opponents' racing skill level (Rookie, Pro, Veteran, Champ, Legend).

Press the **X button** to start the eve. Press the **Δ button** to return to the previous menu.

### Choose an Event

Once the track loads, you will be presented with a list of events similar to single-player mode but with a few additions (see "Race Types" on page 14). Any player can use the **up / down directional buttons** to choose an event and press the **X button** to start. Once the event is over, points are tallied and any awards earned are presented. If you just completed the last event of the eve, the final eve standings are presented along with any awards earned. If any events are left, any player can press the **X button** to advance to the Choose Event screen. From here, press the **left directional button** to display the Standings tab. Press the **right directional button** to display the Exit tab. Here you can exit the eve, restart, or see a replay of the last event (see "Replays" on page 18).

**Note:** You also have the option of watching a replay immediately following an event. After the event ends, select "Replay" and press the **X button** to watch. Select "Continue" and press the **X button** to return to the Eve screen, where you can choose your next event.

# DARE

Dare presents you with a series of 26 exhibition events in five categories. You must unlock each event in succession by winning the event before it.

Choose Action from the Main Menu, then Dare. At first, you will only see one category and one event. Win that event to unlock the next.

**Note:** Be sure to save your progress before restarting or turning off the game, or you will lose your Dare progress.

## RACE TYPES

*Test Drive: Eve of Destruction* contains a variety of real-life extreme driving events, each slightly different depending on the track venue. The size and shapes of the tracks vary. Some tracks are paved, some are dirt, some contain multiple jumps, some have raised "demolition" stages, and more. The events for these venues are split up between race events (available in single and multi modes), arena events, venue events and multiplayer-only events.

### Race Events

#### Jump Race

This is a race around a road course littered with jumps and obstacles.

#### Figure-8 Race

Race in a figure-8 pattern, inevitably crossing paths with other cars in the center.

#### Figure-8 Jump Race

This race is set on a figure-8 track with crossing jumps in the center. It is one of the most dangerous and outrageously fun events in the game.

#### Suicide Race

Half the pack goes one way around the track and half the pack goes the other way. Avoiding head-on collisions is just part of the challenge and the fun. The first car to complete a set number of laps is the winner.

#### Flagpole Race



When the cars come to the flagpole situated in the straightaway, they must loop once around it before continuing the lap. Obviously, much mayhem ensues at the flagpole. Handbrakes come in handy.

#### Stop-and-Go Race

This is an all-out race with one catch: on each lap you must come to a complete stop between two lines before you can continue. Giving the car in

front of you a friendly nudge over the line before it stops means it will have to back up and stop in the zone before it can proceed. Fenders beware!

#### Forward-Backward Race

Cars drive one lap forward and then one lap in reverse. First car to complete the set number of laps wins.



## Whip Around Race

Similar to the Forward-Backward race, but the cars must do a 180-turn after a lap and then drive a lap forward in the other direction. The first car to complete the set number of laps wins.

## Gauntlet



You must drive a large, durable hearse and complete the set number of laps. Sound easy? Sure, except that you have a dozen or so opposing drivers out to smash you into oblivion and prevent you from finishing.

## Last Man Race

This style of race was actually common in the 1940s. After each lap, the car in last place is out of the race until, eventually, only the winner is left.

## School Bus Race



Driving a car in these events is tough enough. Try racing with 30 extra feet of school bus behind you and a pack of school buses around you. The fenders on the bus go crunch, crunch, crunch...

## No-Rules Race

The goal in this rowdy race is to be the first car to cross the finish line by any means necessary and in any shape possible. Fill up that Hits meter!

## Shortcut Race



The first half of the racers who cross the start / finish line must take a longer route than the second half of the pack. The route that each racer must take changes each lap, depending on his current position in the pack. Keep your eyes on the direction arrows, so you know which route to take each lap.

## Arena Events

### Demolition Derby



In this common county fair event, you are ranked by the number of cars you knock out, as well as by the number of times you have hit other cars. There is also a “shot clock” that counts down the amount of time since you last collided with another car — take too long and you’re out! You must keep smashing, not hiding (or sandbagging, as it’s commonly referred to in extreme racing circles). The radar lets you know where the live cars are.

### Wrangling

In this fictional event, you must take out one or more AI-driven compact cars before time runs out. The directional arrow will help you keep track of your target. You only have 60 seconds to “wrangle” the Moth you’re chasing. Your final score is based on how quickly you take the Moth out.

### Push Off / Knock-Out



In this variation of a demolition derby, there is a boundary area inside of which all cars must remain. If a car is pushed out of the ring or disabled, it is out. The winner is determined by the number of cars pushed out and/or disabled. Ties are broken by the number of times you hit other cars. The radar lets you know where the live cars are. You are awarded one point for each in-ring kill and two points for knocking a car out of the ring.

### Red Rover

Red Rover, Red Rover, let 2,500 lbs. of twisted steel come over. This fictional event is similar to the children’s game of the same name. In our version, there are two large areas, and when the horn blows, all cars must race from one area to the other. The last car to get to the second area is eliminated. You must stay within the area until all cars cross the line. If you roll out of the marked area before the horn blows, you’re out. Last car standing wins.

## Venue Events

### Detention



You are a lone school bus driver and your mission is to take out as many cars as possible before they complete a set number of laps. You start with 100 points, and that point total is reduced with each lap a car completes. The event ends when all escapees have either been disabled or have finished the required number of laps. Use the radar to keep track of live targets.

### Point-to-Point Race



In this fictional event, you drive over circles on the track in a specific order. It takes precision driving, since the circles are small and the turns are tight. An indicator points toward the next circle.

### Survival

This is like a point-to-point race, except that the other drivers try to stop you from finishing. You have only 60 seconds to complete the race, and your score is based on how quickly you do it.

### Trailer Race



It takes some skill to drive with a trailer attached to your car, and it takes a lunatic to race with one. You have two damage bars — one for your car and one for your trailer. Wrecking either one will put you out of the race. You are awarded one point for each car you kill (by disabling them or their trailer), one point for finishing the race, and a bonus point for finishing in first place.

### Chain Race

Ever pull somebody out of a ditch using a chain? Did you then floor it and drive in circles? Well, then you sort of know what a Chain Race is like. You have two damage bars in this race — one for the car in front, which you drive, and one for the car in back, which is driven by an AI driver. Wrecking either one will put you out of the race.

### Soccer



Play a game of soccer with four cars and a 500-lb. ball! Teams include two to three players, and if fewer than four humans play, AI cars fill the empty slots. Players must use their cars to move the ball into their opponent's goal at one end of the field. The game is played for three minutes.

## Multiplayer Only Events

### Capture the Flag



The goal of this contest is to be the player who “captures the most flags.” Players begin the contest from a standing start as a flag appears at one of several predetermined spots, marked on the track as a large circle (follow the directional arrow). You must drive through this circle first to pick up the flag, and then drive to the flag destination point, also marked on the track as a large circle. If you are able to do this without taking any

sizable hits from other cars, you will have “returned the flag,” and scored a point. If another car hits you, that car takes control of the flag. This game ends when either the time expires or one player scores a set number of points.

### Battle

Your goal is to destroy as many opponents as possible by shooting them with explosive chickens, which you fire out of the front of your car. Press the **L2 button** to fire. If you are killed, press the **SELECT button** to reappear. The game ends once a player scores five kills.

## REPLAYS



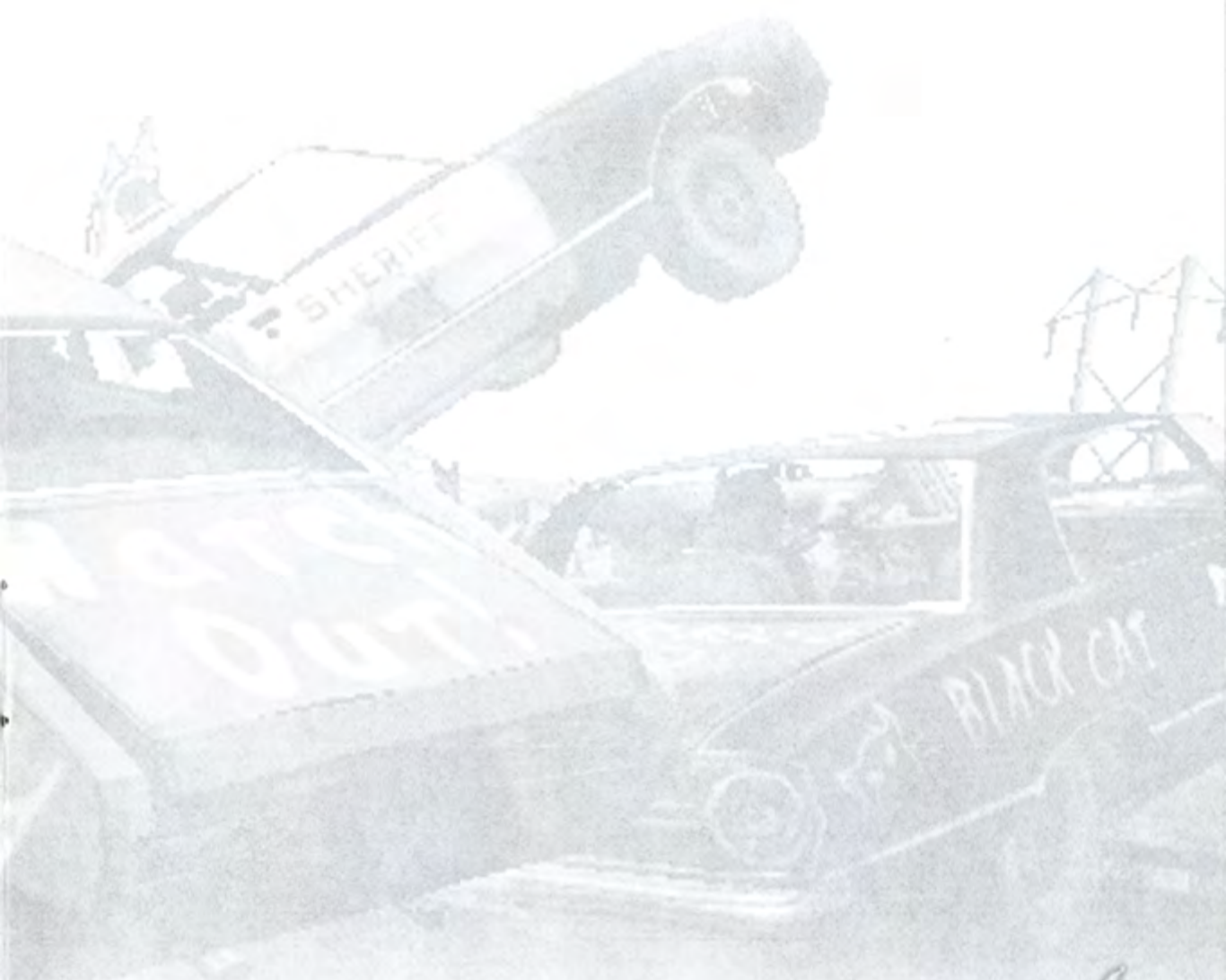
Want to relive the glory of a spectacular mid-air crash or a superb suicide pile-up? Following a race, select the Replay option (you can also watch a replay from the Eve Menu by selecting Replay on the Exit tab).

The replay starts automatically.

To cycle through cameras, press the **directional buttons** or the **X button**. To see the race from another car’s perspective, press the **O button** or the **□ button**. To restart the replay, press the **L1 button**. To pause, press the **R1 button**. To exit the replay, press the **START button**.

# NOTES

ive



# CREDITS

## Atari

James Daly  
*Producer*

Tara Greco  
*Senior Brand Manager*

Hudson Piehl  
*Executive Producer*

Paul Hellier  
*Director of Technology*

Tom Nichols  
*Director of Marketing*

Steve Martin  
*Director of Creative Services*

Elizabeth Mackney  
*Director of Editorial & Documentation Services*

Charles Rizzo  
*Art Director*

Paul Anselmi  
*Graphic Designer*

Kurt Carlson  
*Documentation Specialist*

Paul Collin  
*Copywriter*

Michael Gilmartin  
*Director of Publishing Support*

Chuck Nunez  
*Q.A. Manager*

Ken Ford  
*I.T. Manager/Western Region*

Michael Vetsch  
*Manager of Technical Support*

Jon Nelson  
*Director, Global Web Services*

Scott Lynch  
*Producer, Online*

Gerald "Monkey" Burns  
*Senior Programmer, Online*

Richard Leighton  
*Senior Web Designer, Online*

Sarah Horton  
*Online Marketing Manager*

Chuck Nunez  
*QA Testing Supervisor*

Mike Greenler  
*Lead Tester*

Joe Edwards  
*Assistant Lead Tester*

Jason Anderson  
Adam Caldwell  
Raul Cruz  
Carrie Greenler  
Stefan Nelson  
Josh Neumeister  
Paul Phillips  
Jason Freightman  
Dan Schnider  
Vince McDonnell  
Max Fitzmaurice  
*Testers*

Ken Edwards  
*Engineering Services Specialist*

Eugene Lai  
*Engineering Services Technician*

Cecelia Hernandez  
*Sr. Manager Strategic Relations*

Joy Schneer  
*Sr. Manager Strategic Relations*

Arthur Long  
*Strategic Relations Specialist*

Todd Curtis  
*Vice President, Operations*

Eddie Pritchard  
*Director of Manufacturing*

Lisa Leon  
*Lead Senior Buyer*

Gardnor Wong  
*Senior Buyer*

Tara Moretti  
*Buyer*

Janet Sieler  
*Materials Planner*

Nichole Mackey  
*Process Planner*

## Developed by Monster Games, Inc.

Richard Garcia  
*President and Team Lead*

Dave Broske  
Dave Pollatsek  
*Senior Programmers*

Chris Enock  
Evan Rattner  
Victor Thompson  
Andrew Hyneck  
*Programmers*

Owen Justice  
*Lead Producer and Game Designer*

John Schneider  
*Producer and Announcer*

Troy Harder  
Evan Brown  
*Car Artists*

Brian McCabe  
Dave Whiteman  
Todd LeGare  
Hugh Ackerman  
Mike Rieder  
*Track Artists*

Don Ristow  
*UI Artist*

Josh Lee  
Andrew Darst  
*Production*

## Film Garden Entertainment, Inc.

Nancy Jacobs Miller  
Michelle Van Kempen  
*Executive Producers*

Amanda Crane  
*Supervising Producer*

Eddie Saenz  
*Writer / Producer*

Brigham Cottam  
*Segment Producer*

Mike Schwab  
*Editor*

Greg Cohen  
*Production Coordinator*

Craig Golin  
*Executive in Charge of Production*

## Soundwave Concepts

[www.soundwaveconcepts.com.au](http://www.soundwaveconcepts.com.au)  
Greg Hill  
*Sound Design*

## Special Thanks

Florida Association of Stock Car  
Auto Racing

Don Nerone  
Chuck Rush  
Charlotte County Speedway  
LeRoy Davidson  
Buckeye Valley Chamber  
of Commerce  
Kala Parker  
Budget Films Stock Footage  
Rob Cairns - APM  
Jeff Beauregard

Jennifer Baum  
Debbie Finkst  
Samantha, Darby, Madeline  
and Kylie  
Melissa and Christine  
Mark T. Morrison  
Steven Bercu  
Senta Wong  
Maureen DiPierro  
Don Terbush and Carmen Liu –  
Universal Music  
Jack Rosner – Warner/Chappell  
Music, Inc  
Rob Cairns – Associated  
Production Music  
Rod Kotler – EMI Music  
Publishing  
Christian Wiseman –  
BMG Songs Inc  
Pamela Lillig – Bug Music  
Maria Alonte McCoy – Netzwerk

## Music Credits

"Between Rupture and Rapture"  
Performed by Thursday  
Courtesy of The Island Def Jam  
Music Group  
Under License from Universal  
Music Enterprises

"BETWEEN RUPTURE AND  
RAPTURE"  
By Geoffrey Rickley, Robert  
Keeley III, Steven Pedulla,  
Thomas Rule, and  
Timothy Charles Payne  
© 2003 EMI April Music Inc. and  
Quiet City Music  
All rights controlled and  
administered by EMI April Music  
Inc. (ASCAP)  
All Rights Reserved. International  
Copyright Secured. Used By  
Permission.

"The Artist and the Ambulance"  
Performed by Thrice  
Courtesy of The Island Def Jam  
Music Group  
Under License from Universal  
Music Enterprises

"THE ARTIST AND THE  
AMBULANCE"  
(Dustin Kensrue, Edward  
Breckenridge, James  
Breckenridge, Teppei Teranishi)  
Published by BMG Songs, Inc.  
(ASCAP) o/b/o Sceptor of Malice

"Out of Control"  
Performed by Hoobastank  
Courtesy of The Island Def Jam  
Music Group  
Under License from Universal  
Music Enterprises

"OUT OF CONTROL"  
(Douglas Robb, Daniel Estrin,  
Chris Heese, Markku Lappalainen)  
© 2003 WB MUSIC CORP.  
(ASCAP) AND SPREAD YOUR  
CHEEKS AND PUSH OUT THE  
MUSIC (ASCAP)  
ALL RIGHTS ADMINISTERED BY  
WB MUSIC CORP.  
ALL RIGHTS RESERVED. USED BY  
PERMISSION

"Same Direction"  
Performed by Hoobastank  
Courtesy of The Island Def Jam  
Music Group  
Under License from Universal  
Music Enterprises

"SAME DIRECTION"  
(Douglas Robb, Daniel Estrin,  
Chris Heese, Markku Lappalainen)  
© 2003 WB MUSIC CORP.  
(ASCAP) AND SPREAD YOUR  
CHEEKS AND PUSH OUT THE  
MUSIC (ASCAP)  
ALL RIGHTS ADMINISTERED BY  
WB MUSIC CORP.  
ALL RIGHTS RESERVED. USED BY  
PERMISSION

"What I Want"  
Performed by Autopilot Off  
Courtesy of the Island Def Jam  
Music Group  
Under License from Universal  
Music Enterprises

"WHAT I WANT"  
(Chris Hughes, Chris Johnson,  
Phil Robinson, Rob Kucharek, T.  
Armstrong)  
© 2003 WB MUSIC CORP.  
(ASCAP), WITHERSPOON PUB-  
LISHING (ASCAP) AND HOW  
ABOUT A BUNCH OF TROUBLE  
MUSIC (ASCAP)  
ALL RIGHTS ON BEHALF OF ITSELF  
AND WITHERSPOON PUBLISHING  
ADMINISTERED BY THE WB  
MUSIC CORP

"Never Gonna Stop"  
Performed by Rob Zombie  
Courtesy of Geffen Records  
Under License from Universal  
Music Enterprises

"NEVER GONNA STOP"  
(Rob Zombie, Scott Humphrey)  
© 2002 WB MUSIC CORP.  
(ASCAP), DEMONOID DELUXE  
MUSIC (ASCAP) & BUG MUSIC  
(SESAC) ALL RIGHTS ON BEHALF  
OF DEMONOID DELUXE MUSIC  
(ASCAP) ADMINISTERED BY WB  
MUSIC CORP. (ASCAP) ALL  
RIGHTS RESERVED. USED BY PER-  
MISSION.

"Still Waiting"  
Performed by Sum 41  
Courtesy of the Island Def Jam  
Music Group  
Under license from Universal  
Music Enterprises

"STILL WAITING"  
(By Sum 41 and Greig Andrew  
Nori)  
© 2002 EMI APRIL MUSIC  
(CANADA) LTD, RECTUM  
RENOVATOR MUSIC AND  
BUNK ROCK MUSIC  
ALL RIGHTS IN THE US FOR EMI  
APRIL MUSIC (CANADA) LTD &  
RECTUM RENOVATOR MUSIC  
CONTROLLED AND ADMINIS-  
TERED BY EMI APRIL MUSIC INC.  
(ASCAP)  
ALL RIGHTS RESERVED. INTERNA-  
TIONAL COPYRIGHT SECURED.  
USED BY PERMISSION

### Associate Production Music

"Anarchy 1"  
By Nothcote (PRS), Jehan (PRS)

"Crawler "  
By MacDonald (BMI), New (PRS)

"Guitar Armada"  
By Jordan (GEMA)

"Timebomb"  
"American Rock 'N' Roll"  
By Bumblefoot (PRS)

"Smashed"  
By Chris Goulstone (PRS)

## ATARI WEB SITES

To get the most out of your new game, visit us at:

[www.atari.com/us/testdrive](http://www.atari.com/us/testdrive)

To send e-cards to your friends, download wallpapers, or get access to other free stuff, visit our Freebies section at:

[www.atari.com/us/freebies](http://www.atari.com/us/freebies)

If you would like to chat with other gamers, as well as developers, visit our Community Forum area at:

[www.ataricommunity.com](http://www.ataricommunity.com)

**Kids, check with your parent or guardian before visiting any web site.**

**Chat Messages:** Atari does not monitor, control, endorse, or accept responsibility for the content of chat messages. You are strongly encouraged not to give out identity or other personal information through chat message transmissions. Kids, check with your parent or guardian if you are concerned about any chat you receive.

Use of Atari web sites is subject to terms and conditions, which you can access at:

[www.atari.com/us/terms\\_of\\_service.asp](http://www.atari.com/us/terms_of_service.asp)

## TECHNICAL SUPPORT (U.S. & CANADA)

### Help Via the Internet

Up-to-the-minute technical information about Atari products is generally available 24 hours a day, 7 days a week via the Internet at:

[www.atarisupport.com](http://www.atarisupport.com)

Through this site you'll have access to our **FAQ** (Frequently Asked Questions) documents, our **Hints/Cheat Codes** if they're available, and an **E-Mail** area where you can get help and ask questions if you do not find your answers within the **FAQ**.

**Note:** In the event we must send you a Hint Sheet, FAQ document, patch or update disc via E-mail, we may require verifiable consent from a parent or guardian in order to protect children's privacy and safety online. Consent Forms are available at the web site listed above.

### Help Via Telephone in the United States & Canada

For phone assistance, call **Atari Technical Support** at **(425) 951-7108**. Our **Interactive Voice Response** system is generally available 24/7, providing automated support solutions immediately.

This console-based product has automated support, which includes information such as gameplay tips, information on Control Keys, possible Cheat Code combination keys, and instructions for finding secret screens and/or additional game levels (if these type of items exist and are made available for this particular product).



Great News! We've improved our Automated Systems so that you can get product-specific Troubleshooting help more quickly. All you need to do is enter the product's **Part #** when prompted to do so. This will take you directly to all of our known issues and solutions for this title. The product's **Part #** is located in several places (on the CD label, Game Pak, package and/or plastic disc case, if applicable) and is usually identified by a number such as **04-12345**. When prompted by the Automated System, enter the **last five digits** of your product's Part #. (For example, Part # 04-12345 would require that you enter the "12345" portion of the number for that product.) **Note:** Some products simply feature a five-digit Part # without an "04-" prefix.

Live support is generally available Monday through Friday, 8:00 AM until 6:00 PM (Pacific Time). **Note:** We may be closed on major holidays.

### **Product Return Procedures in the United States & Canada**

In the event our technicians at **(425) 951-7108** determine that you need to forward materials directly to us, please include a brief letter explaining what is enclosed and why. Make sure you include the Return Merchandise Authorization Number (RMA#) supplied to you by the technician, and your telephone number in case we need to call you. You will receive the mailing address when the technician gives you the RMA#. Any materials not containing this RMA# will be returned to you unprocessed.

### **Warranty Policy in the United States & Canada**

If our technicians determine that the product storage medium is found to be defective within ninety (90) days of original purchase, (unless otherwise provided by applicable law), Atari will replace the item free of charge, to the original purchaser, if the item is accompanied by the original dated receipt and packaging.

# END-USER LICENSE AGREEMENT

**IMPORTANT — READ CAREFULLY:** Please be sure to carefully read and understand all of the rights and restrictions described in this End-User License Agreement ("EULA").

## AGREEMENT

This document is an agreement between you and Atari, Inc. and its affiliated companies ("Company"). The enclosed software game disc(s), cartridge or Game Pak ("Software") and any accompanying printed materials are licensed to you only on the condition that you accept all of the terms contained in this EULA.

By opening this package and installing or otherwise using the Software you agree to be bound by the terms of this EULA. If you do not agree to the terms of this EULA you may not install or use the Software and within 15 days of purchase you must call the Tech Support telephone number listed in the manual accompanying the Software (the "Manual"). Select the Automated Phone System's Main Menu option for Consumer Services and follow the prompts.

You will be given a Return Merchandise Authorization number (RMA #) by the technician. You then have 15 days from the date of this contact to return the Software in its protective covering, the Manual and the original sales invoice to the address supplied to you.

If this is a PC product, when you install the Software you will be asked to review and either accept or not accept the terms of the EULA by clicking the "I Accept" button. By clicking the "I Accept" button you acknowledge that you have read the EULA, understand it and agree to be bound by its terms and conditions.

## COPYRIGHT

The Software is protected by copyright laws and international copyright treaties, as well as other intellectual property laws and treaties. All title and copyrights in and to the Software (including but not limited to any images, photographs, animations, video, music, text and "applets" incorporated into the Software) and any printed materials accompanying the Software are owned by the Company or its Licensors.

## GRANT OF LICENSE

The Software is licensed and not sold to you and its use is subject to this EULA. The Company grants you a limited, personal, non-exclusive license to use the Software in the manner described in the user documentation. The Company reserves all rights not expressly granted to you in this EULA.

## PERMITTED USES

1. If the Software is configured for loading on a hard drive, you may install and use the Software on a single computer.
2. You may make and maintain one copy of the Software for backup and archival purposes, provided that the original and copy of the Software are kept in your possession.
3. You may permanently transfer all your rights under this EULA, provided you retain no copies, you transfer all of the Software (including all component parts, the media and printed materials and any upgrades) and the recipient reads and accepts this EULA.

## RESTRICTIONS

1. You may not delete or obscure any copyright, trademark or other proprietary notice on the Software or accompanying printed materials.
2. You may not decompile, modify, reverse engineer, disassemble or otherwise reproduce the Software.
3. You may not copy, rent, lease, sublicense, distribute, publicly display the Software, create derivative works based on the Software (except to the extent expressly permitted in the Editor and End-User Variation section of this Agreement or other documentation accompanying the Software) or otherwise commercially exploit the Software.
4. You may not electronically transmit the Software from one computer, console or other platform to another or over a network.
5. You may not use any backup or archival copy of the Software for any purpose other than to replace the original copy in the event it's destroyed or becomes defective.

## EDITOR AND END-USER VARIATIONS

If the Software includes a feature that allows you to modify the Software or to construct new variations (an "Editor"), you may use such Editor to create modifications or enhancements to the Software, including the construction of new levels (collectively the "Variations"), subject to the following restrictions. Your Variations: (i) must only work with the full, registered copy of the Software; (ii) must not contain modifications to any executable file; (iii) must not contain any libelous, defamatory or other illegal material, material that is scandalous or invades the rights of privacy or publicity of any third party; (iv) must not contain any trademarks, copyright-protected work or other property of third

parties; and (v) may not be commercially exploited by you, including but not limited to making such Variations available for sale or as part of a pay-per-play or timesharing service.

#### **TERMINATION**

This EULA is effective until terminated. You may terminate this EULA at any time by destroying the Software. This EULA will terminate automatically without notice from the Company if you fail to comply with any provisions of this EULA. All provisions of this EULA as to warranties, limitation of liability, remedies and damages will survive termination.

#### **LIMITED WARRANTY AND DISCLAIMER OF WARRANTIES**

You are aware and agree that use of the Software and the media on which is recorded is at your sole risk. The Software and media are supplied "AS IS." Unless otherwise provided by applicable law, the Company warrants to the original purchaser of this product that the Software storage medium will be free from defects in materials and workmanship under normal use for ninety (90) days from the date of purchase. The warranty is void if the defect has arisen through accident, abuse, neglect or misapplication. If the Software fails to conform to this warranty, you may at your sole and exclusive remedy, obtain a replacement free of charge if you return the defective Software. Follow the Product Return Procedures described in the Manual. The Company does not warrant that the Software or its operations or functions will meet your requirements, or that the use of the Software will be without interruption or error.

**TO THE FULLEST EXTENT PERMISSIBLE UNDER APPLICABLE LAW, EXCEPT FOR THE EXPRESS WARRANTY SET FORTH ABOVE, THE COMPANY DISCLAIMS ALL WARRANTIES, EXPRESS OR IMPLIED, INCLUDING AND WITHOUT LIMITATION, THE IMPLIED WARRANTIES OF MERCHANTABILITY AND FITNESS FOR A PARTICULAR PURPOSE AND NON-INFRINGEMENT. EXCEPT FOR THE EXPRESS WARRANTY SET FORTH ABOVE, THE COMPANY DOES NOT WARRANT, GUARANTEE OR MAKE ANY REPRESENTATION REGARDING THE USE OR THE RESULTS OF THE USE OF THE SOFTWARE IN TERMS OF ITS CORRECTNESS, ACCURACY, RELIABILITY, CURRENTNESS OR OTHERWISE. SOME JURISDICTIONS DO NOT ALLOW THE EXCLUSION OF OR LIMITATIONS ON IMPLIED WARRANTIES, SO THE ABOVE EXCLUSIONS AND LIMITATIONS MAY NOT APPLY TO YOU.**

#### **LIMITATION OF LIABILITY**

**IN NO EVENT WILL THE COMPANY OR ITS EMPLOYEES OR LICENSORS BE LIABLE FOR ANY INCIDENTAL, INDIRECT, SPECIAL, CONSEQUENTIAL OR PUNITIVE DAMAGES, OR ANY DAMAGES WHATSOEVER (INCLUDING, WITHOUT LIMITATION, DAMAGES FOR INJURY TO PERSON OR PROPERTY, FOR LOSS OF PROFITS, BUSINESS INTERRUPTION, LOSS OF BUSINESS INFORMATION, LOSS OF PRIVACY, FAILURE TO MEET ANY DUTY AND NEGLIGENCE) ARISING OUT OF OR IN ANY WAY RELATED TO THE USE OR INABILITY TO USE THE SOFTWARE, EVEN IF THE COMPANY OR AN AUTHORIZED REPRESENTATIVE OF THE COMPANY HAS BEEN ADVISED OF THE POSSIBILITY OF SUCH DAMAGES. SOME JURISDICTIONS DO NOT ALLOW THE EXCLUSION OF LIABILITY FOR INCIDENTAL OR CONSEQUENTIAL DAMAGES, SO THE ABOVE EXCLUSION MAY NOT APPLY TO YOU.**

**IN NO EVENT WILL THE LIABILITY OF THE COMPANY FOR DAMAGES WITH RESPECT TO THE SOFTWARE EXCEED THE AMOUNTS ACTUALLY PAID BY YOU FOR THE SOFTWARE.**

#### **CHOICE OF LAW AND VENUE**

This EULA is governed by the laws of the United States of America and the State of New York, exclusive of its conflicts of law provisions. The exclusive venue for litigation regarding or arising from this EULA is New York County, New York and you agree to submit to the Jurisdiction of the courts of New York County, New York for any such litigation.

#### **MISCELLANEOUS**

If any provision or portion of this EULA is found to be unlawful, void, or for any reason unenforceable, it will be severed from and in no way affect the validity or enforceability of the remaining provisions of the EULA.

This EULA constitutes the entire agreement between you and the Company regarding the Software and its use.

Test Drive®: Eve of Destruction. © 2004 Atari Interactive, Inc. All Rights Reserved. All trademarks are the property of their respective owners.

Developed by Monster Games, Inc.

© & © 2004 Associated Production Music LLC. All rights reserved. Tracks may be performed, copied, or re-recorded ONLY if the appropriate license is obtained.

Manufactured under license from Dolby Laboratories.

07284

# REGISTER ONLINE TODAY!

IT'S AS SIMPLE AS 1, 2, 3!

1. Go to [www.gameregister.com](http://www.gameregister.com)
2. Enter your game's info
3. Select a great offer

Receive game-related info and other special offers by registering online today! That's it.

Atari will not contact you without your express permission. For more information about our privacy policy, go to [www.atari.com/us/privacy\\_policy.asp](http://www.atari.com/us/privacy_policy.asp)

2 Blocks On The Left. Not Responsible For Damage to Vehicles.



Part # 25654M

[www.atari.com](http://www.atari.com)

Atari, Inc.  
417 Fifth Avenue  
New York, NY 10016 USA  
PRINTED IN THE USA.

Test Drive™: Eve of Destruction. © 2004 Atari Interactive, Inc. All Rights Reserved.  
All trademarks are the property of their respective owners.

ATARI